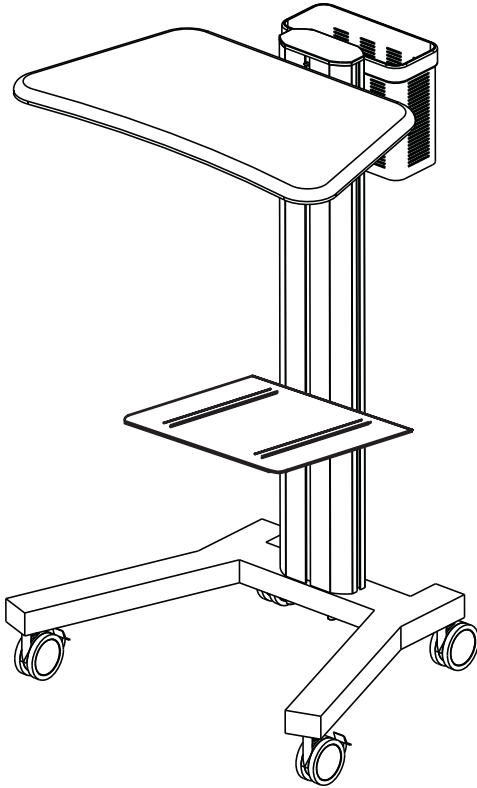


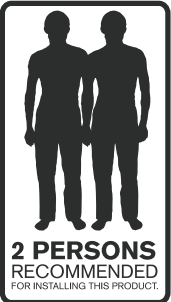
# PC Mobile Cart User Manual



Max  
20kg  
[44lbs]  
Storage Box

Max  
20kg  
[44lbs]  
Printer Shelf

Max  
20kg  
[44lbs]  
Keyboard Tray



## PC 1000S



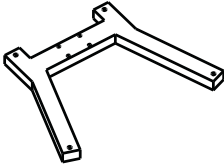
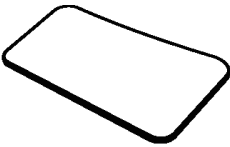
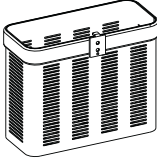


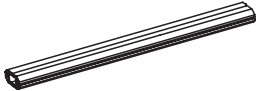


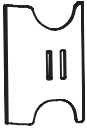
## Safety Instructions





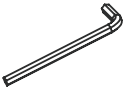
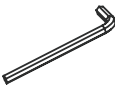





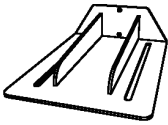
1. This PC mobile cart is only for use with computer only. Do not use it as a step stool or ladder.
2. Make sure all bolts, screws and knobs are tightened up before using. Check the bolts, screws and knobs regularly.
3. Keep the hardware away from children as there is risk of choking.
4. Never place items over the weight capacity on the desk.
5. When carrying out the assembly, exercise caution to avoid risks of pinching hand or bumping head.
6. When moving the PC mobile cart, ensure the casters are unlocked first. Before using the product, ensure the casters are locked for a secure position.

## Specifications

<b>Overall Dimensions</b> (L x W x H)	26 3/4" x 21 1/16" x 42 5/16" (68 x 53.5 x 107.5 cm)
<b>Basket Weight Limit</b>	44 lbs (20 kg)
<b>Printer Tray Weight Limit</b>	44 lbs (20 kg)
<b>Keyboard Tray Weight Limit</b>	44 lbs (20 kg)

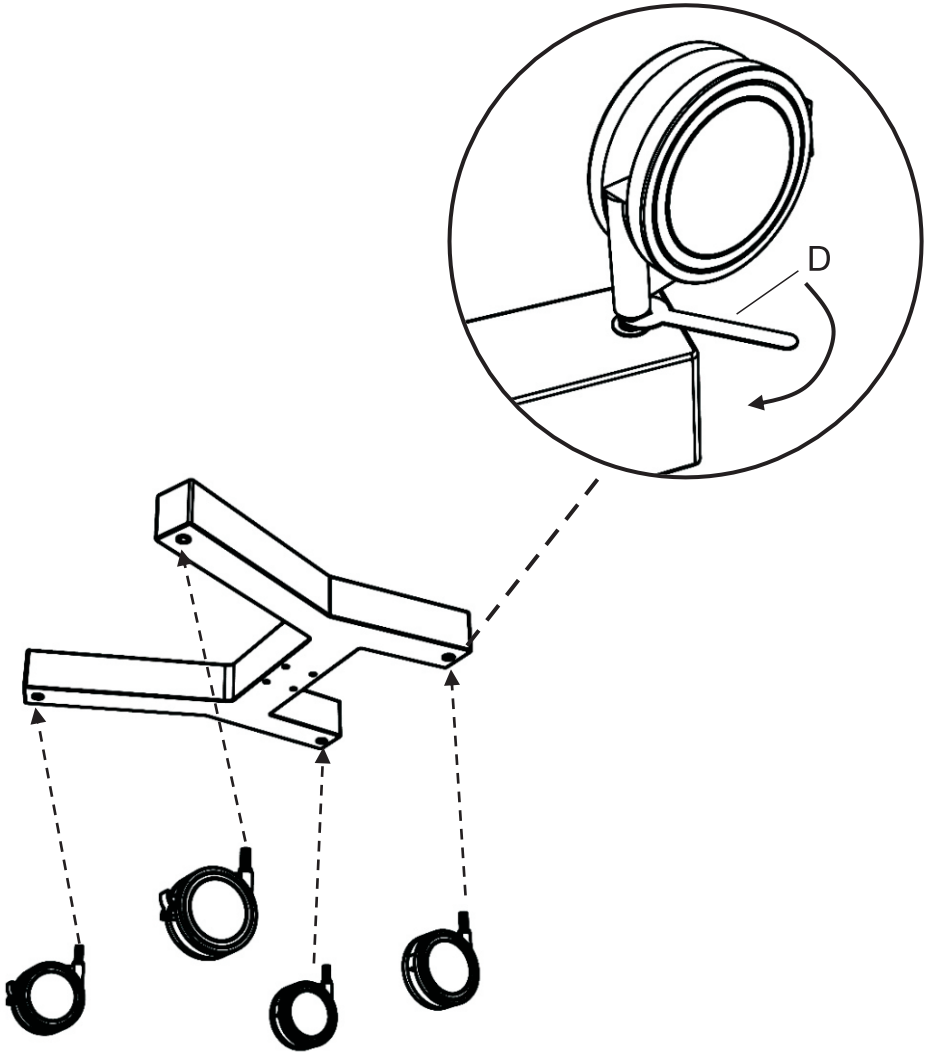
# Package Contents

 <p>1PCS</p>	 <p>1PCS</p>	 <p>1PCS</p>
 <p>1PCS</p>	 <p>2PCS</p>	 <p>1PCS</p>
 <p>1PCS</p>	 <p>2PCS</p>	 <p>2PCS</p>

<p><b>A</b></p>  <p>M8X65 4PCS</p>  <p>M8 4PCS</p>	<p><b>B</b></p>  <p>1PCS</p>  <p>M6X10 2PCS</p>	<p><b>C</b></p> <p>6mm</p>  <p>1PCS</p> <p>5mm</p>  <p>1PCS</p>	<p><b>D</b></p>  <p>1PCS</p>	
<p><b>E</b></p>  <p>HD 001 2PCS</p>  <p>HD 002 2PCS</p>  <p>M6X10 4PCS</p>			<p><b>F</b></p>  <p>4PCS</p>	 <p>1PCS</p>

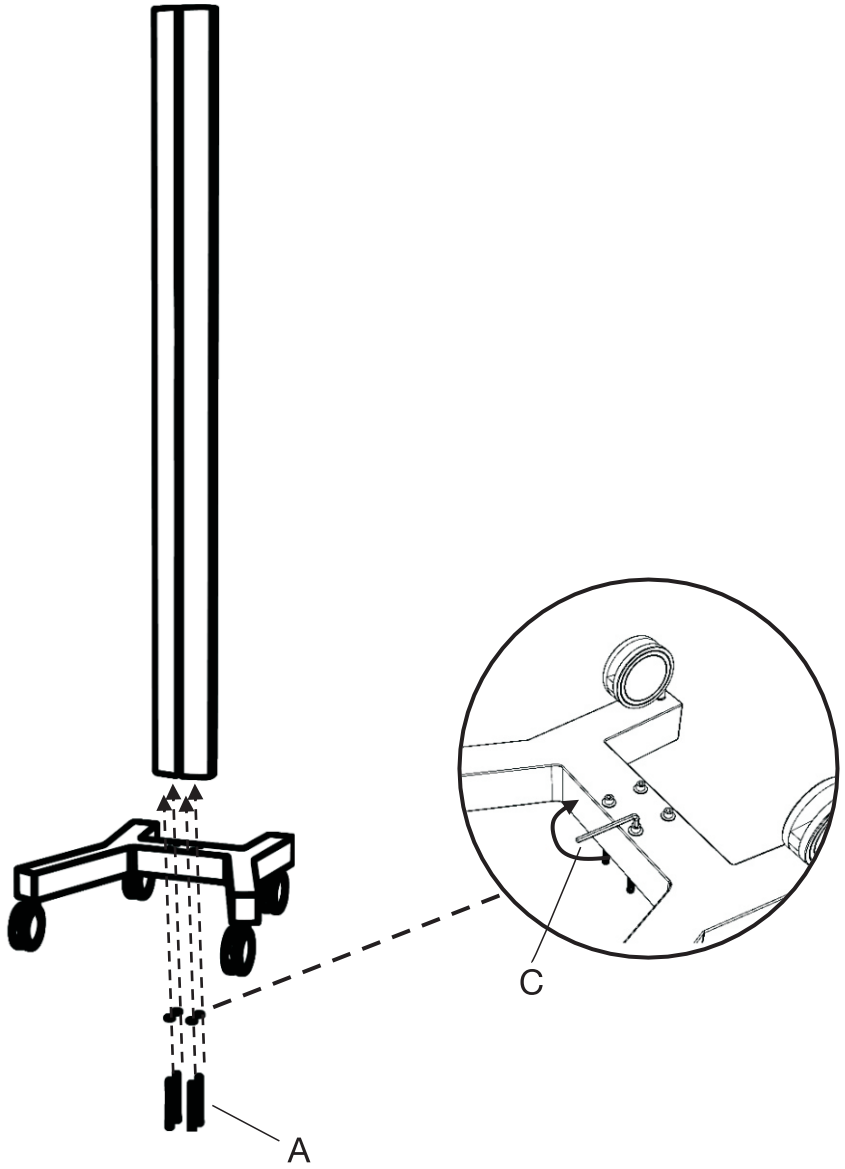
# Assembly Instructions

# 1



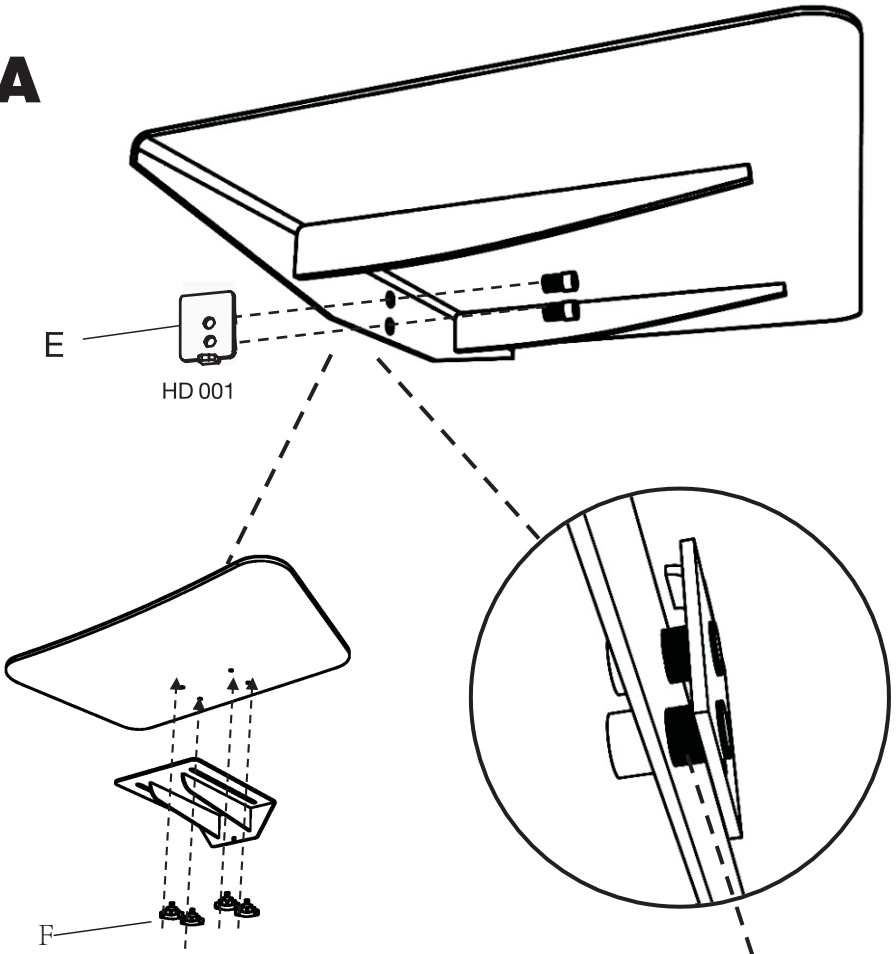
Install the casters on the base as shown. Fasten them with allen wrench.  
**(Note: The casters with lock should be installed on the same side.)**

2



Install the pole on the base with long screws & washers.

# 3A



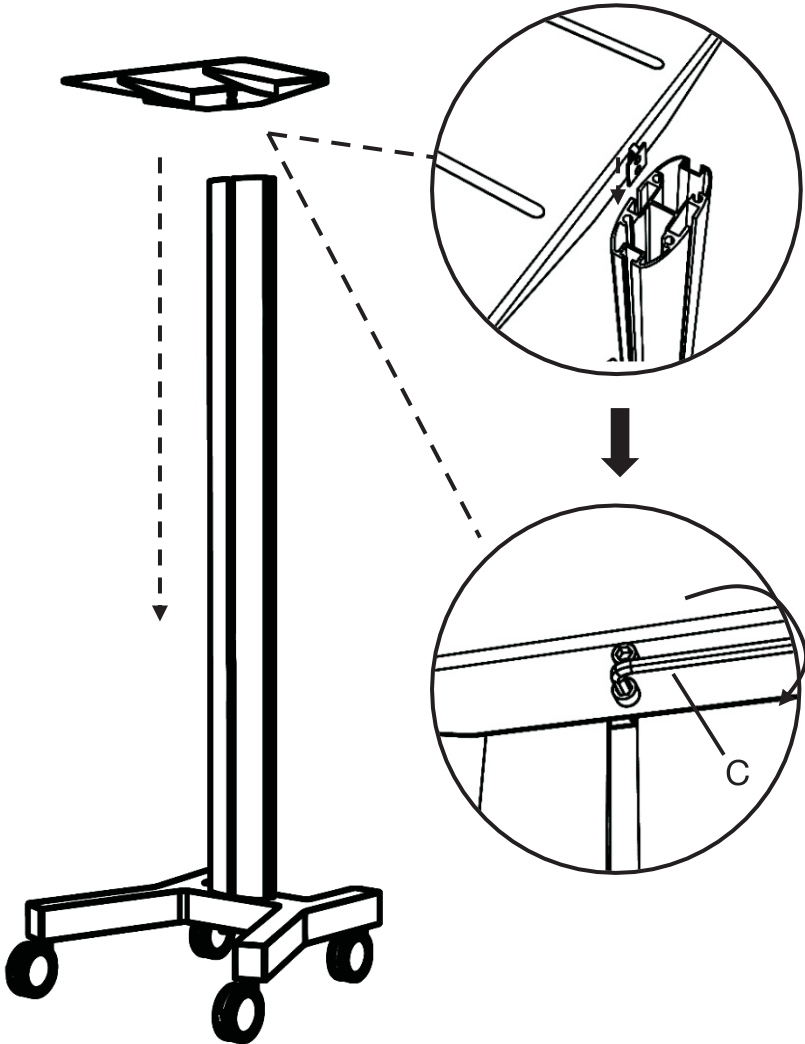
Don't fasten the screws tightly. Leave some space between the bracket and the printer tray.

Install the short bracket on the printer tray with short screws.

**(Note: Do not fasten the screws too tightly.)**

# 3B

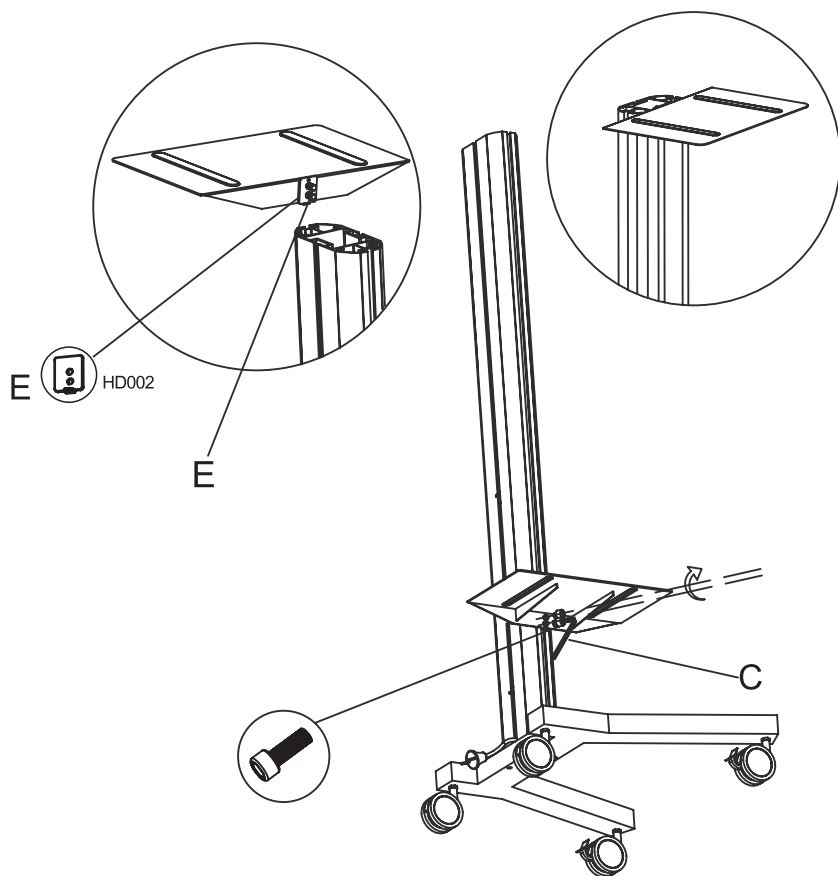
Front Or Back



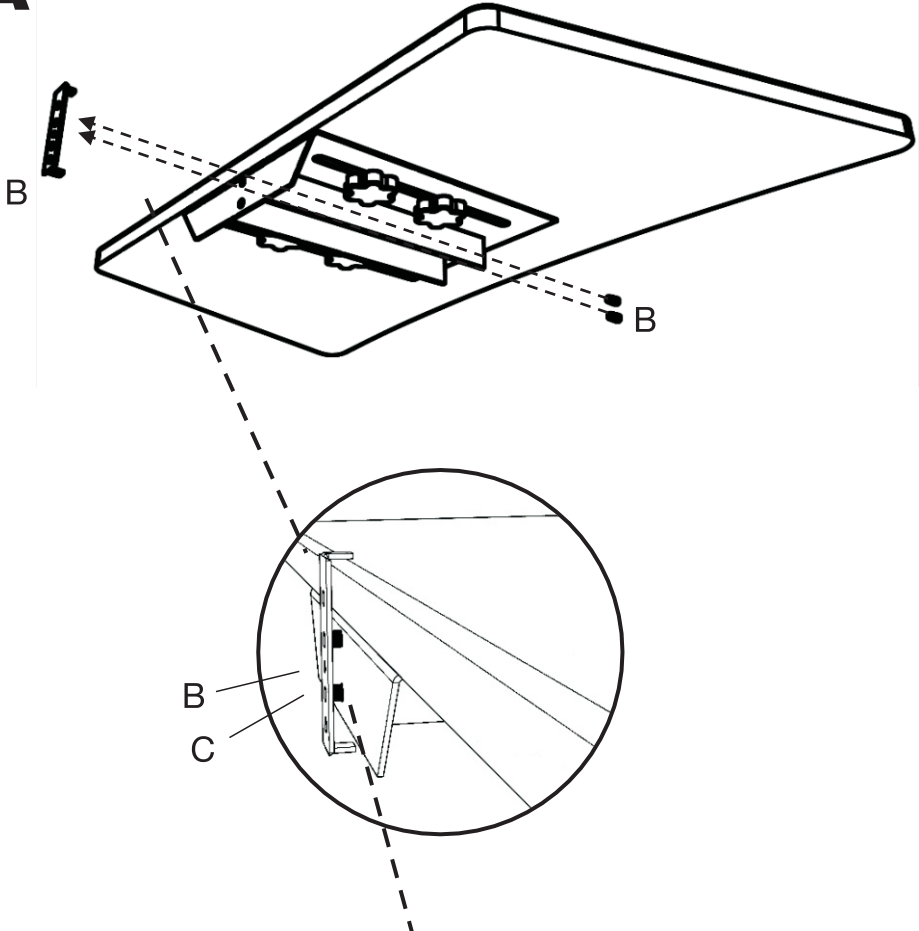
Slide the short bracket into the groove of the pole. After adjusting the printer tray to the desired height, fasten the short screws for securing.

# 3C

## Left Or Right



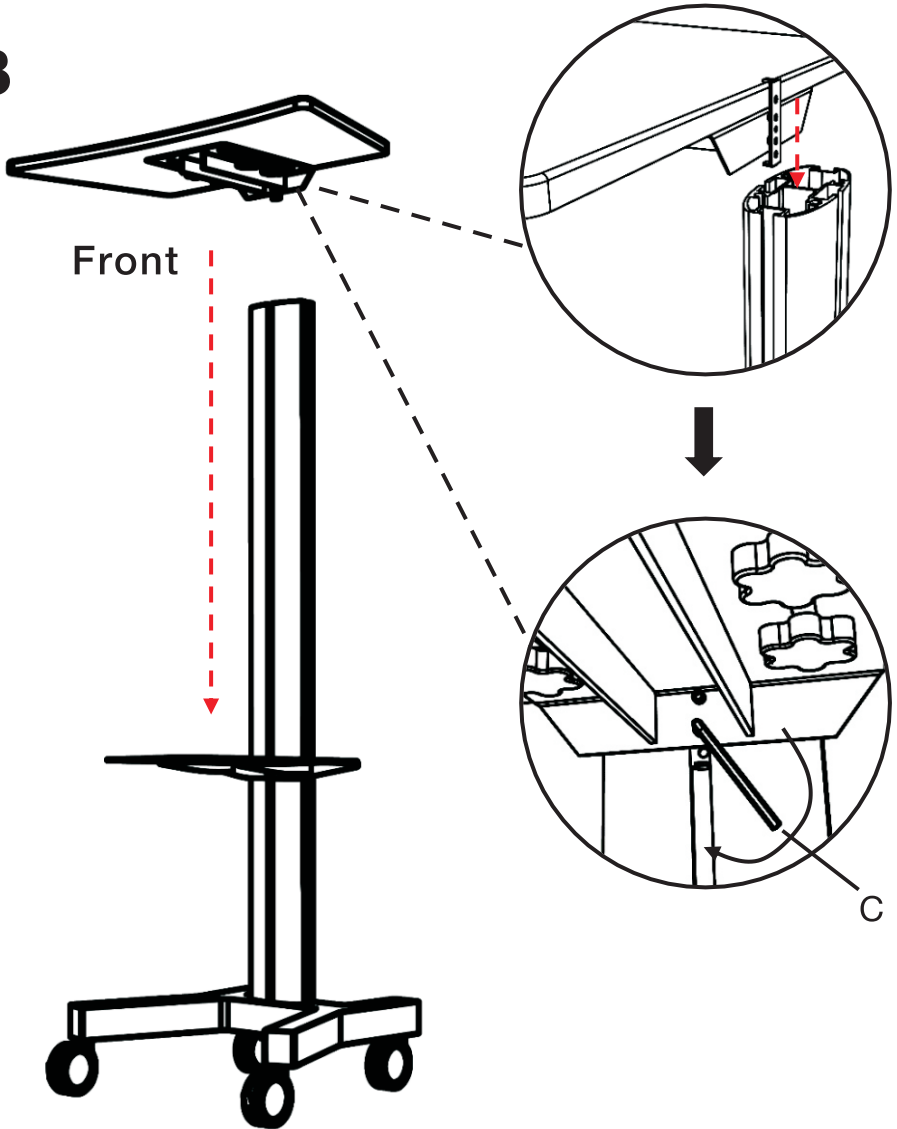
# 4A



Don't fasten the screws tightly. Leave some space between the bracket and the keyboard tray.

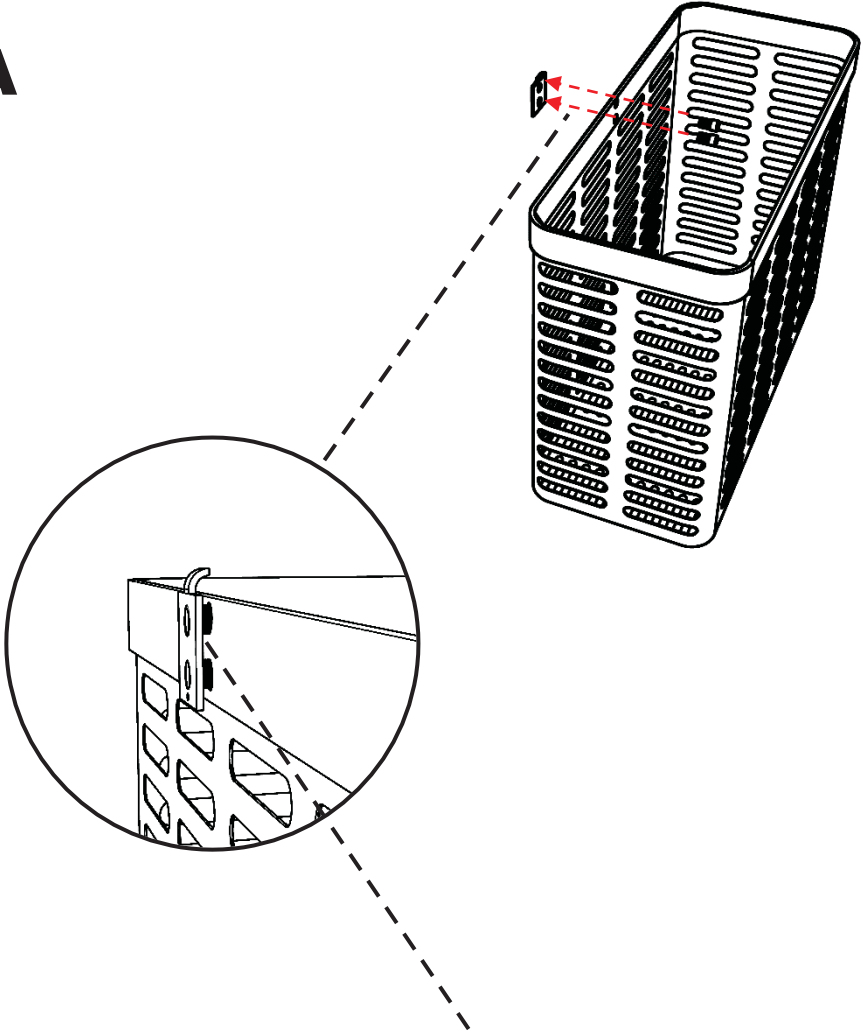
Install the short bracket on the keyboard tray with short screws.  
**(Note: Do not fasten the screws too tightly.)**

# 4B



Slide the long bracket into the groove of the pole. After adjusting the keyboard tray to the desired height, fasten the short screws for securing.

# 5A

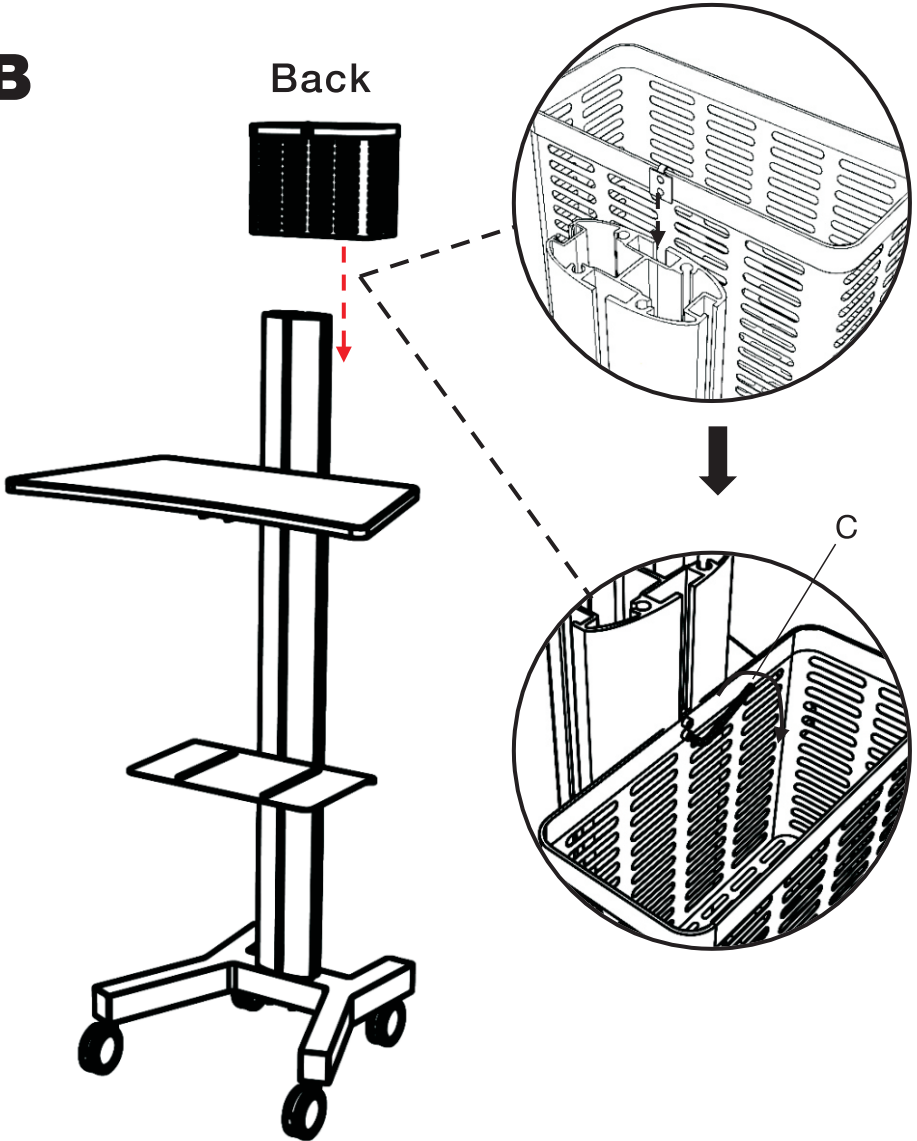


Don't fasten the screws tightly. Leave some space between the bracket and the basket.

Install the short bracket on the basket with short screws.

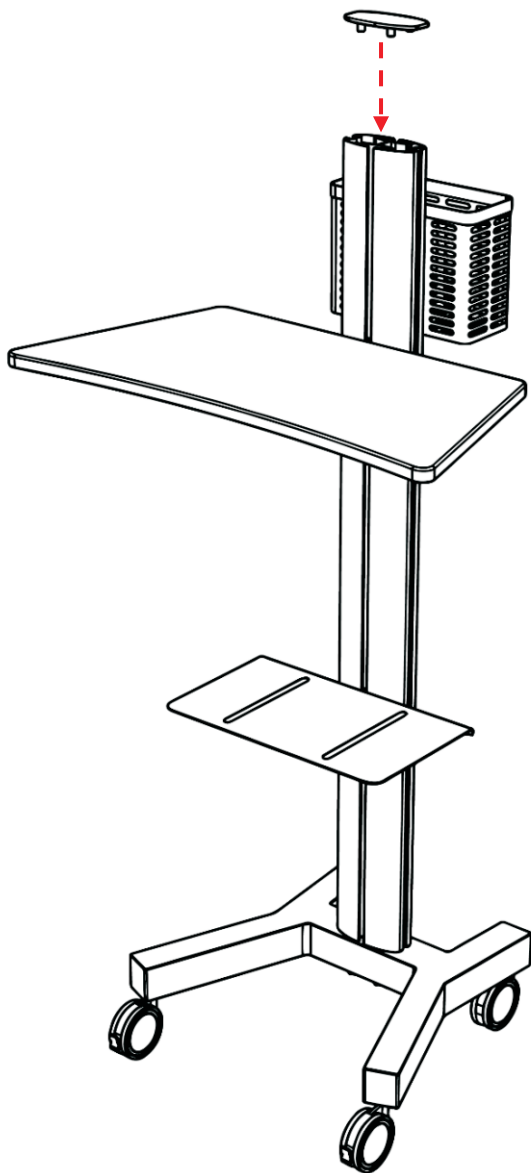
**(Note: Do not fasten the screws too tightly.)**

# 5B



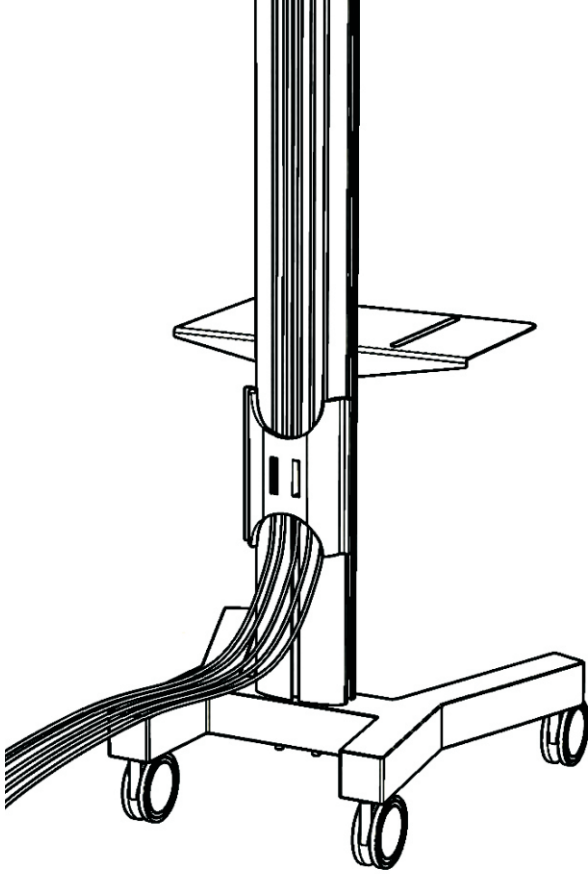
Slide the short bracket into the groove of the pole. After adjusting the basket to the desired height, fasten the short screws for securing.

6

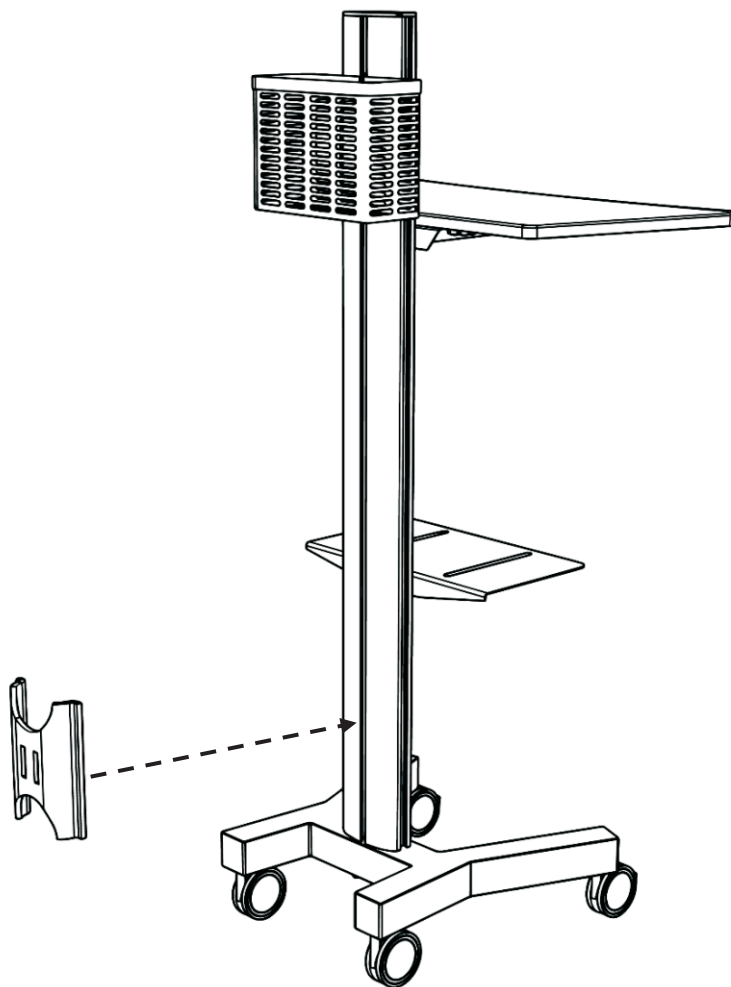


Install the top cover on the top of the pole.

# 7



Thread the wires through the wire bundler for better wire management.



Install the wire bundler to the pole.